

Alira X

Reverse Cycle Split System



| ENERGY RATING | |
|---------------|-----------------------|
| 6.0 ★ | HOT climate 4.0 ★ |
| 5.5 ★ | AVERAGE climate 3.5 ★ |
| 6.0 ★ | COLD climate 3.0 ★ |

25 Class Model

A REFLECTION OF QUALITY

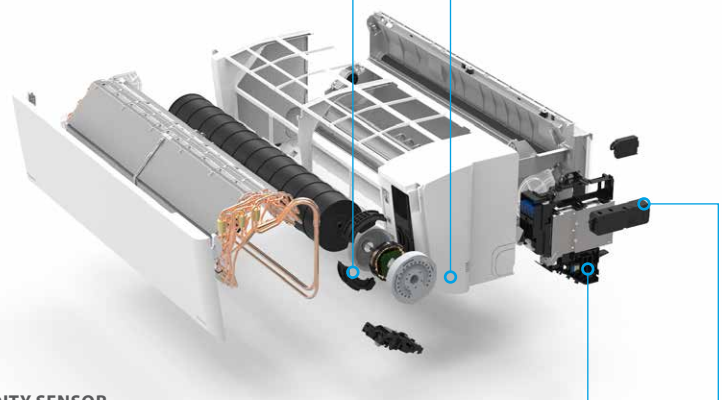
Alira X is a step ahead of the rest, delivering a perfect fusion of whisper quiet comfort, industry-leading energy efficiency and indoor air quality technology.

- 
Perfect fusion
 R32 Alira X is a perfect blend of progressive design aesthetic, superior energy performance & indoor air quality technology.
- 
Advanced purification
 Fitted with three layers of filtration; prefilter for large particulates, enzyme blue deodorising filter for odours and Daikin's Streamer Technology for powerful oxidative decomposition of pollutants.
- 
Mould-proof operation
 Activates after cooling or dry operation to prevent the build up of mould and odour.*
- 
Built-in Wi-Fi
 Connection to Daikin's Mobile Controller smartphone interface is now included.
- 
Intelligent comfort
 The 2-Area Intelligent Eye** helps prevent cold draughts and enables energy saving operations when the room is unoccupied.
- 
Coanda airflow
 Discharge louvres are designed to stream air upwards along the ceiling for rapid cooling and uniform temperature distribution.

Technology

IMPROVED ODM MOTOR
 Improved compact 14 pole DC outer diameter rotor motor encased in rubber vibration dampeners delivers higher torque more efficiently than before while ensuring whisper quiet operations.

REDESIGNED DUAL LOUVRES
 Large dual louvres with aerodynamic end vanes help reduce turbulence for draught free comfort with longer throw distances of up to 10m (50-71 Class).



HUMIDITY SENSOR
 Monitors humidity to accurately control supply air temperature for comfortable and effective dehumidification of the room during Program Dry Function operation.

STREAMER TECHNOLOGY
 Discharges high speed electrons generating powerful oxidative decomposition that has been proven to eliminate more than 99.6%[^] of pollen in 2 hours, 99.9%^{^^} of mould in 24 hours and 99.61%[^] of allergens in 24 hours.



* Mould-proof operation function can be toggled (On/Off) via the wireless controller

** 2-Area Intelligent Eye only applicable to 20-46 Class Models

[^]Verified at Wakayama Medical University with the following test condition: Irradiated allergens with Streamer & checked decomposition of allergen proteins by either the ELISA method, electrophoresis or electron microscopy.

^{^^}Verified at Japan Food Research Laboratories using antibacterial test/mould elimination test (test number: 204041635-001).

SPECIFICATIONS

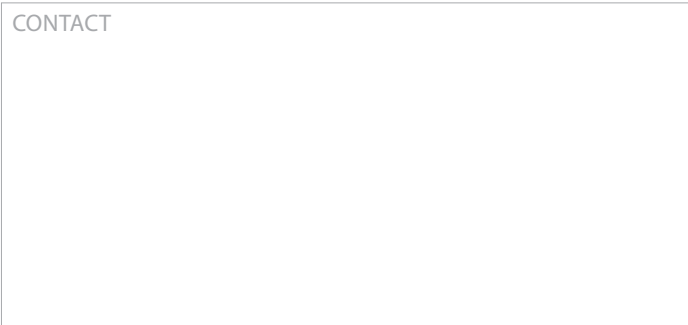


| Indoor Unit | | FTXM20WVMA | FTXM25WVMA | FTXM35WVMA | FTXM46WVMA | FTXM50WVMA | FTXM60WVMA | FTXM71WVMA | |
|--|--------------------------------|----------------|----------------|----------------|----------------|----------------|----------------|----------------|--|
| Outdoor Unit | | RXM20WVMA | RXM25WVMA | RXM35WVMA | RXM46WVMA | RXM50WVMA | RXM60WVMA | RXM71WVMA | |
| Rated Capacity | Cool (kW) | 2.2 | 2.5 | 3.5 | 4.6 | 5.0 | 6.0 | 7.1 | |
| | Heat (kW) | 2.7 | 3.2 | 3.7 | 4.7 | 6.0 | 7.2 | 8.0 | |
| Capacity Range | Cool (kW) | 1.1-2.8 | 1.1-3.7 | 1.1-4.2 | 0.9-5.5 | 1.1-6.7 | 1.1-7.5 | 2.0-8.9 | |
| | Heat (kW) | 1.1-4.4 | 1.1-5.4 | 1.1-5.5 | 1.0-6.7 | 1.0-8.0 | 1.0-9.8 | 2.0-10.8 | |
| Indoor Airflow Rate (H) | Cool (l/s) | 228 | 242 | 242 | 253 | 342 | 395 | 410 | |
| | Heat (l/s) | 223 | 223 | 242 | 250 | 342 | 395 | 410 | |
| Indoor Fan Speeds | 5 steps, quiet and automatic | | | | | | | | |
| Star Rating (Hot/Avg/Cold) ZERL (Residential) | Cool | 6/5.5/5.5 | 6/5.5/6 | 5/5/5 | 4.5/4/4.5 | 5.5/5/5 | 4.5/4.5/5 | 4/3/3.5 | |
| | Heat | 3.5/3.5/3 | 4/3.5/3 | 3.5/3.5/3 | 4/3.5/3 | 4/3.5/3 | 4/3/2.5 | 3.5/3/2.5 | |
| Front Panel Colour | White | | | | | | | | |
| Power Supply | 1 phase, 220-240V, 50Hz | | | | | | | | |
| Power Input (Rated) | Cool (kW) | 0.42 | 0.47 | 0.80 | 1.17 | 1.13 | 1.48 | 2.00 | |
| | Heat (kW) | 0.50 | 0.64 | 0.76 | 1.04 | 1.23 | 1.61 | 1.96 | |
| E.E.R./C.O.P | Cool/Heat | 5.30/5.40 | 5.38/5.00 | 4.38/4.89 | 3.95/4.52 | 4.42/4.88 | 4.05/4.47 | 3.55/4.08 | |
| T.C.S.P.F (Residential) | Hot/Avg/Cold | 7.87/7.15/7.39 | 7.95/7.29/7.55 | 6.98/6.61/6.96 | 6.09/5.71/6.06 | 7.00/6.56/6.99 | 6.49/6.11/6.55 | 5.50/4.87/5.07 | |
| H.S.P.F (Residential) | Hot/Avg/Cold | 5.34/5.13/4.76 | 5.50/5.12/4.71 | 5.44/5.02/4.50 | 5.61/5.03/4.52 | 5.84/5.25/4.60 | 5.50/4.90/4.26 | 5.10/4.54/4.00 | |
| A.E.E.R./A.C.O.P | Cool/Heat | 5.25/5.36 | 5.33/4.97 | 4.36/4.86 | 3.94/4.50 | 4.41/4.86 | 4.04/4.46 | 3.54/4.07 | |
| Dimensions (HxWxD) | Indoor (mm) | 299x920x275 | | | | 299x1100x275 | | | |
| | Outdoor (mm) | 550x675x284 | | | 695x930x350 | | | | |
| Weight | Indoor (kg) | 13 | 13 | 13 | 13 | 15 | 15 | 15 | |
| | Outdoor (kg) | 28 | 30 | 30 | 51 | 54 | 54 | 60 | |
| Compressor Type | Hermetically Sealed Swing Type | | | | | | | | |
| Refrigerant Type | R32 | | | | | | | | |
| Max Pipe Length | (m) | 20 | 20 | 20 | 30 | 30 | 30 | 30 | |
| Max Level Difference | (m) | 15 | 15 | 15 | 20 | 20 | 20 | 20 | |
| Pipe Sizes | Liquid (mm) | 6.4 | 6.4 | 6.4 | 6.4 | 6.4 | 6.4 | 6.4 | |
| | Gas (mm) | 9.5 | 9.5 | 9.5 | 12.7 | 12.7 | 12.7 | 15.9 | |
| Outdoor Operating Range | Cool (°CDB) | -10 to 46 | | | | | | | |
| | Heat (°CWB) | -15 to 18 | | | | | | | |
| Indoor Sound Level (H/SL) | Cool (dBA) | 39/19 | 41/19 | 42/19 | 43/26 | 45/28 | 48/29 | 49/30 | |
| | Heat (dBA) | 39/20 | 40/20 | 42/20 | 43/26 | 45/28 | 48/29 | 49/30 | |
| Outdoor Sound Level (H/SL) | Cool (dBA) | 46/43 | 47/43 | 49/44 | 47/44 | 47/44 | 49/45 | 53/49 | |
| | Heat (dBA) | 47/44 | 48/44 | 49/45 | 48/45 | 48/45 | 52/45 | 54/49 | |
| Outdoor EPA Sound Power Level (H) | Cool (dBA) | 58 | 59 | 61 | 59 | 59 | 61 | 65 | |
| | Heat (dBA) | 59 | 60 | 61 | 60 | 60 | 64 | 66 | |

ZERL (Residential) refers to 'Zoned Energy Rating Label' residential star rating as outlined in the GEMS 2019 Determination.

Notes:

- The Rated Capacity, Power Input and Running Current are determined under conditions T1 (cooling) or H1 (heating) of AS/NZS 3823.1.1
Cooling: Indoor temp: 27°CDB/19°CWB, Outdoor temp: 35°CDB/24°CWB
Heating: Indoor temp: 20°CDB/15°CWB, Outdoor temp: 7°CDB/6°CWB
- The cooling (or heating) output capacity will be reduced below the rated value as the outdoor temperature approaches the maximum (or minimum) outdoor temperature operating range limit.
- The specifications, designs & information in this flyer are subject to change without notice. Unit colours shown are as close as possible to actual unit colours. Colours depicted in this flyer may vary slightly.



Daikin Australia Pty Limited ABN 62 000 172 967

For all Sales enquiries, email: sales@daikin.com.au

For Customer Service of Technical Support, call: 1300 368 300

Want to learn more about our product range?

Subscribe to our YouTube Channel or go to daikin.com.au

